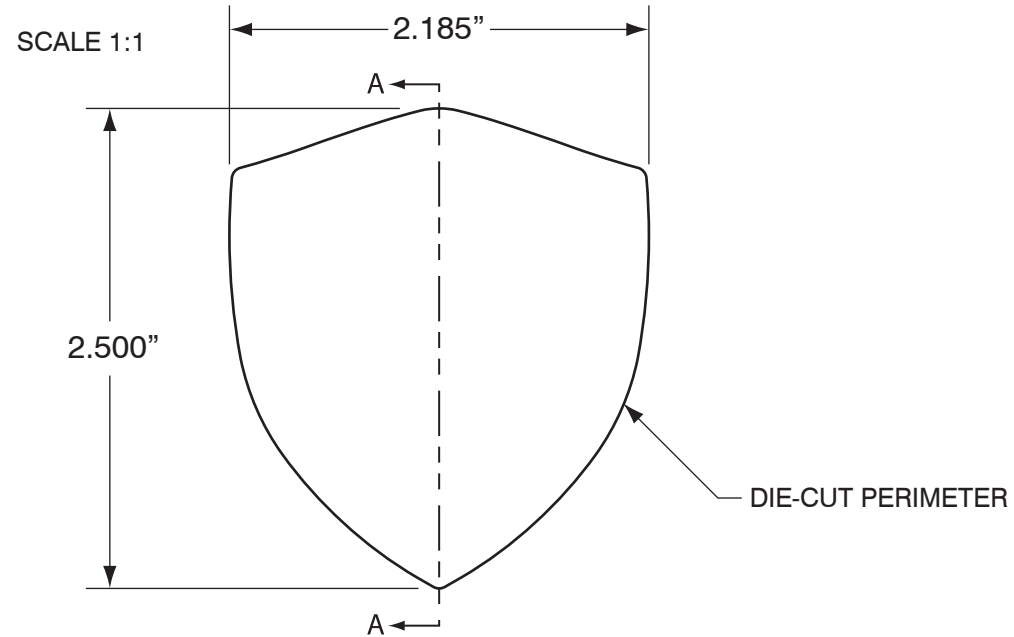
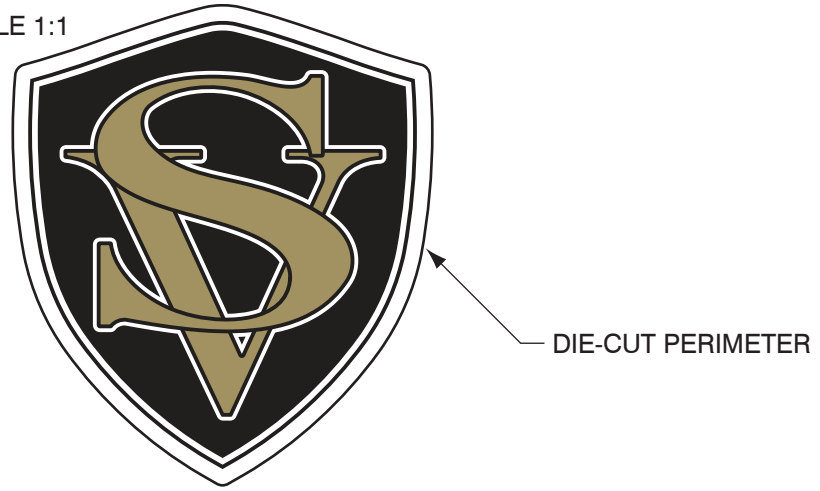


AULD REV.	DESCRIPTION	BY	DATE
0	INITIAL DRAWING RELEASE	RFV	07.31.2009

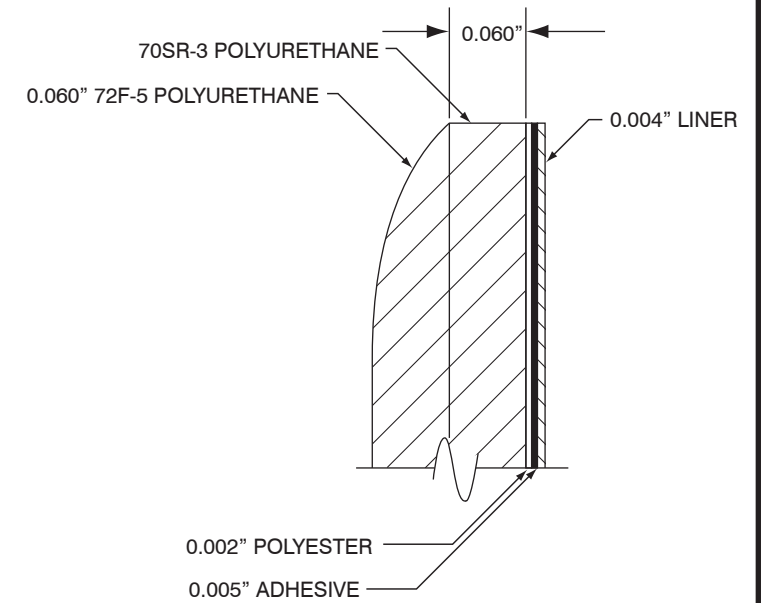


ARTWORK SCALE 1:1



FLOATING "SV" LOGO

SECTION A-A: SCALE 10=1



NOTES:

1. TOTAL PART THICKNESS WITHOUT THE LINER IS 0.127"
2. MATERIAL TYPE: MP7903 - BRIGHT SILVER POLYESTER SUBSTRATE
3. ADHESIVE: PERMANENT ACRYLIC ADHESIVE
4. URETHANE: 70SR-3/72F-5
5. PACKAGING REQUIREMENTS: BULK PACK

COLOR SPECIFICATIONS	
	TRANSPARENT GOLD (COLORMATCH)
	PMS 871C METALLIC GOLD
	BLACK

APPROVED BY:	
CUSTOMER	AULD TECHNOLOGIES
DATE:	DATE:
DO NOT SCALE THIS DRAWING	
DIM (INCH)	.XXX .XX .X ANGLE
TOLERANCE	±.010 ±.015 ±.020 ±1/2°
ALL DIMENSIONS ARE IN INCHES UNLESS OTHERWISE SPECIFIED	



AULD TECHNOLOGIES LLC
 180 OUTERBELT STREET
 COLUMBUS, OHIO 43213
 (614) 755-2853 - FAX (614) 755-2329

THE INFORMATION CONTAINED IN THIS DOCUMENT IS THE SOLE POSSESSION AND CONFIDENTIAL TO AULD TECHNOLOGIES. THIS INFORMATION SHALL NOT BE UTILIZED IN WHOLE OR PART WITHOUT WRITTEN CONSENT OF AULD TECHNOLOGIES.

AULD'S PART NO.:	19444
CUSTOMER:	SV HOLDINGS, INC.
PART DESCRIPTION:	METALLIC GOLD ON TRANS. GOLD SV CREST D3 EMBLEM
CUSTOMER PN:	
SHEET	1 OF 1